

smartcontroller

Electrical Excellence

PRODUCT CATALOGUE

CURRENT TRANSFORMER





3 IN1 CURRENT TRANSFORMER

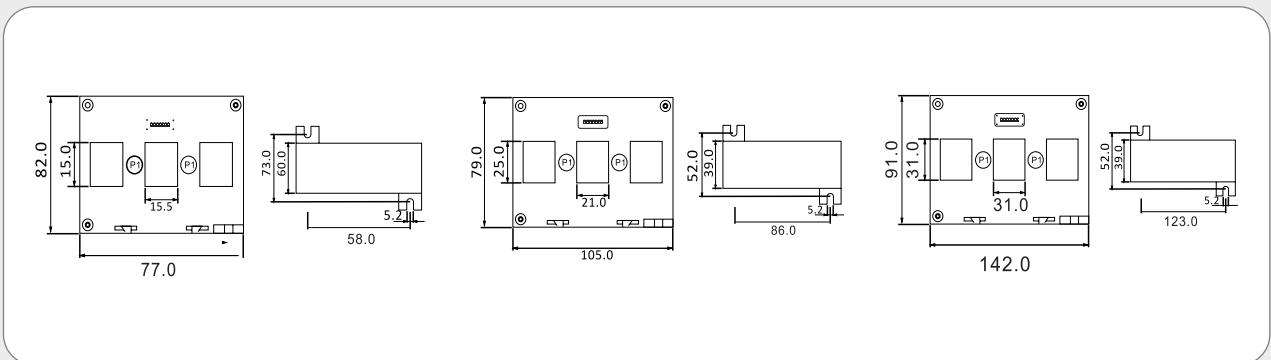
- Cost Effective Three-Phase Molded Case
- Ratio,s Ranging From 60/5 To 630/5
- Plug-in Quite Connection 80% Labor Saving
- Lockable Terminal for Safety
- Both Available for Busbar or Din Rail Mounted.



Ration (A)	BURDNRN (VA)	
	CLASS 0.5	CLASS 1.0
60/1	-	1
100/1	-	1.5
125/1	1.5	1.5
150/1	1.5	1.5
300/1	1.5	1.5
100/1	-	1.5
125/1	-	1.5
150/1	-	1.5
160/1	1.5	1.5
200/1	1.5	1.5
250/1	1.5	1.5
250/1	1.5	1.5
300/1	2.5	2.5
400/1	2.5	2.5
500/1	2.5	2.5

SPECIFICATION	
System Voltage	720V maximum
Test Voltage	3kV for 1 minute
System Frequency	50Hz or 60Hz
Primary Ratings	60A to 630A
Short Circuit Thermal	60 x rated primary current
Overload withstand	1.2 x rated current continuously
Rated Dynamic Current	2.55 x Ith
Secondary Terminals	M4 screw terminals
Enclosure	Flame retardant grad classified UL 94V-0
Aperture Holes Centers	25,35,45mm
Mounting Hand ware	Plug-in metal feet for wall or base Mounting
	Bus-bar and DIN-rail
Compliant	IEC/EN60044-1

DIMENSIONS





3 IN1 CURRENT TRANSFORMER

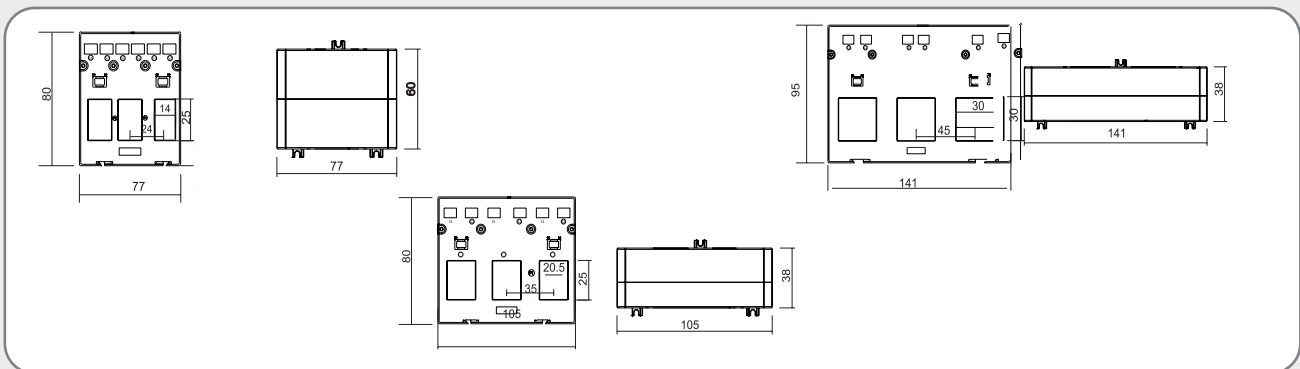
- Cost Effective Three-Phase Molded Case
- Ratio,s Ranging From 60/5 To 630/5
- Integrated wire sealable terminal cover
- Busbas, DIN-rail metal feet mounting
- Combined M4 posi/slot screwhardware supplied



Ration (A)	BURDNRN (VA)	
	CLASS 0.5	CLASS 1.0
60/5	-	1
100/5	1.5	1.5
125/5	1.5	1.5
150/5	1.5	1.5
200/5		1.5
	-	
100/5	-	1.5
125/5	-	2.5
150/5	1.5	3.75
160/5	1.5	1.5
200/5	1.5	1.5
250/5		1.5
	1.5	
250/5	2.5	1.5
300/5	2.5	2.5
400/5	2.5	2.5
500/5	2.5	2.5
600/5	2.5	2.5
630/5		2.5

SPECIFICATION	
Rated Current	60A to 630A loads
Rated Output	5A (AC)
Accuracy	Class 0.5 or 1 from 20% to 120% of rated current
Phase Angle	Less than 2 degrees at 50% of rated current
Insulation Voltage	600Vac
Maximum Primary	5000Vac (Insulated Conductor)
Dielectric Strength	2.°C
Operating Temperature	
Operating Humidity	
Case Material	
Bobbin	
Internal Structure	

DIMENSIONS





3 IN1 CURRENT TRANSFORMER

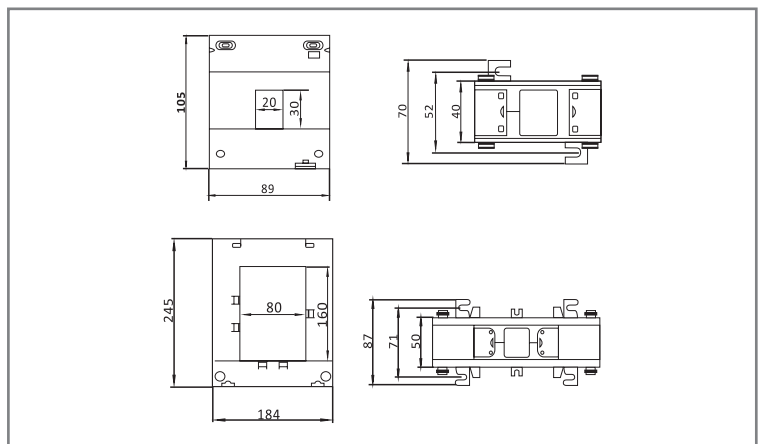
- Split Core
- Primary Input 100A~5000A
- Secondary Output 5A/1A
- Two building fixing methods: base, busbar mounting.
- Wide inner window, allowing clamping of big cables or bus-bars



Ration (A)	BURDNRN (VA)	
	CLASS 0.5	CLASS 1.0
100/5	1.5	2.5
150/5	1.5	2.5
200/5	2.5	3.75
250/5	2.5	5
300/5	5	5
400/5	5	5
250/5	1.5	2.5
300/5	2.5	5
400/5	3.75	5
500/5	5	7.5
600/5	5	7.5
750/5	5	10
800/5	5	10
1000/5	7.5	10
500/5	2.5	5
600/5	2.5	5
750/5	5	10
800/5	5	10
1000/5	7.5	10
1200/5	7.5	10
1250/5	7.5	10
1500/5	7.5	10
1000/5	10	15
1500/5	10	15
2000/5	15	20
2500/5	20	25
3000/5	20	30
4000/5	20	30
5000/5	20	30
6000/5	20	30

SPECIFICATION	
Frequency	50Hz-60Hz
Rated Current	100A to 5000A loads
Rated Output	5A / 1A (AC)
Accuracy	Class 0.5 or 1 from 20% to 120% of rated current
Phase Angle	less than 2 degrees at 50% of rated current
Insulation Voltage	600Vac
Maximum Primary	5000Vac (Insulated Conductor)
Dielectric Strength	2.5 KV / 1mA / 1 min
Operating Temperature	-15°C to 60°C
Operating Humidity	<85%
Case Material	PC / UL94-V0
Bobbin	PBT
Internal Structure	Epoxy

DIMENSIONS





SPLIT CORE CURRENT TRANSFORMER

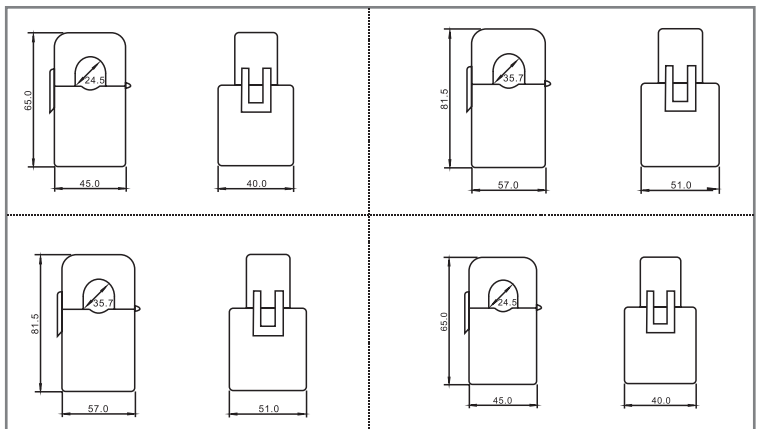
- Split Core, Easy Installtion
- Primary Input 100A~5000A
- Secondary Output 5A/1A
- Safe Mode



Ration (A)	BURDNRN (VA)	
	CLASS 0.5	CLASS 1.0
100/1	-	1.5
150/1	-	1.5
200/1	1.5	2.5
250/1	1.5	2.5
300/1	1.5	2.5
100/1	-	1.5
150/1	-	1.5
200/1	1.5	2.5
300/1	1.5	2.5
400/1	1.5	2.5
500/1	2.5	3.75
600/1	2.5	5
100/5	-	1.5
150/5	-	1.5
200/5	1.5	2.5
250/5	1.5	2.5
300/5	1.5	2.5
100/5	-	1.5
150/5	-	1.5
200/5	1.5	2.5
300/5	1.5	2.5
400/5	1.5	2.5
500/5	2.5	3.75
600/5	2.5	5

SPECIFICATION	
Frequency	50-60Hz
Rated Current	100A to 600A loads
Rated Output	1A / 5A (AC)
Accuracy	Class 0.5 or 1 from 20% to 120% of rated current
Phase Angle	Less than 2 degrees at 50% of rated current
Insulation Voltage	600Vac
Maximum Primary	5000Vac (Insulated Conductor)
Dielectric Strength	2.5KV/1mA/1min
Operating Temperature	-15°Cto 60°C.
Operating Humidity	<85%
Case Material	PC / UL94-V0
Bobbin	PBT
Core	Permalloy
Internal Structure	Epoxy

DIMENSIONS





MINI SPLIT CORE CURRENT TRANSFORMER

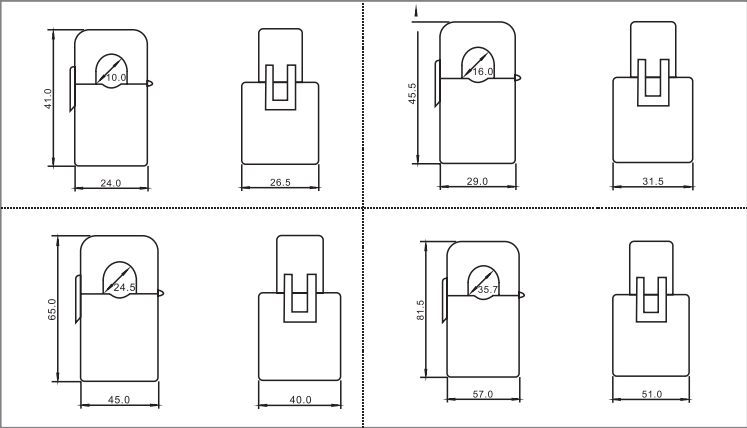
- Split Core, Easy Installtion
- Primary Input 5A ~ 6000A
- Secondary Output 333mV
- Safe Mode



RATED AMPS	OUTPUT	ACCURACY
5	0.333	0.5 or 1
10	0.333	0.5 or 1
20	0.333	0.5 or 1
50	0.333	0.5 or 1
75	0.333	0.5 or 1
5	0.1	0.5 or 1
10	0.1	0.5 or 1
20	0.1	0.5 or 1
50	0.1	0.5 or 1
75	0.1	0.5 or 1
5	0.333	0.5 or 1
10	0.333	0.5 or 1
50	0.333	0.5 or 1
100	0.333	0.5 or 1
150	0.333	0.5 or 1
5	0.1	0.5 or 1
10	0.1	0.5 or 1
50	0.1	0.5 or 1
100	0.1	0.5 or 1
150	0.1	0.5 or 1
10	0.333	0.5 or 1
50	0.333	0.5 or 1
100	0.333	0.5 or 1
250	0.333	0.5 or 1
300	0.333	0.5 or 1
10	0.1	0.5 or 1
50	0.1	0.5 or 1
100	0.1	0.5 or 1
250	0.1	0.5 or 1
300	0.1	0.5 or 1

SPECIFICATION	
Frequency	50-60Hz
Rated Current	5A to 600A loads
Rated Output	333mV/100mV (AC)
Accuracy	Class 0.5 or 1 from 20% to 120% of rated current
Phase Angle	less than 2 degrees at 50% of rated current
Insulation Voltage	600Vac
Maximum Primary	5000Vac (Insulated Conductor)
Dielectric Strength	2.5KV/1mA/1min
Operating Temperature	-15°C to 60°C.
Operating Humidity	<85%
Case	PC / UL94-V0
Material	PBT
Bobbin	Permalloy
Core	Epoxy
Internal Structure	UL 1015, Twisted Pair, 22AWG

DIMENSIONS





SPLIT CORE CURRENT TRANSFORMER

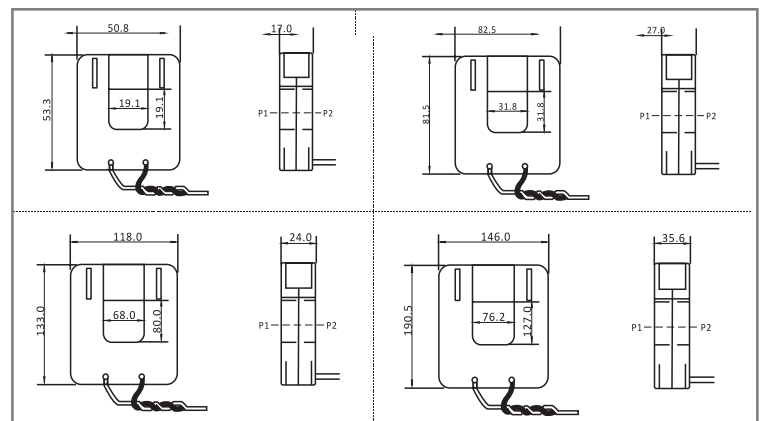
- Split Core, Easy Installtion
- Primary Input 5A~3000A
- Secondary Output 333mV
- Wide Inner Window Allowing
- Clamping of Big Cable



RATED AMPS	OUTPUT	ACCURACY
5	0.333V	1
10	0.333V	1
50	0.333V	1
75	0.333V	1
100	0.333V	1
125	0.333V	1
150	0.333V	1
200	0.333V	1
50	0.333V	1
100	0.333V	1
200	0.333V	1
250	0.333V	1
400	0.333V	1
600	0.333V	1
630	0.333V	1
100	0.333V	1
125	0.333V	1
250	0.333V	1
400	0.333V	1
630	0.333V	1
800	0.333V	1
1000	0.333V	1
2000	0.333V	1
400	0.333V	1
800	0.333V	1
1000	0.333V	1
1500	0.333V	1
2500	0.333V	1
3000	0.333V	1

SPECIFICATION	
Frequency	50-60Hz
Rated Current	5A to 3000A loads
Rated Output	333mV (AC)
Accuracy	± 1% from 20% to 120% of rated current
Phase Angle	less than 2 degrees at 50% of rated current
Insulation Voltage	600Vac
Maximum Primary	5000Vac (Insulated Conductor)
Dielectric Strength	2.5KV/1mA/1min
Operating Temperature	-15°Cto 60°C.
Operating Humidity	<85%
Case Material	PC / UL94-V0
Bobbin	PBT
Core	Permalloy
Internal Structure	Epoxy
Leads	UL 1015, Twisted Pair, 22AWG

DIMENSIONS





FLEXIBLE ROGOWSKI COIL CURRENT SENSOR

- Flexible and Light Weight
- Easy and Quick Installation in Tight Spaces.
- No Danger from Open-Circuited Secondary.
- No Core Saturation or Damage if Overloaded.



RATED AMPS	WINDOW SIZE
100/5	60mm
200/5	76mm
400/5	90mm
800/5	100mm
1000/5	150mm
1200/5	160mm
3000/5	190mm
5000/5	200mm
6000/5	300mm
100/5	60mm
200/5	76mm
400/5	90mm
800/5	100mm
1000/5	150mm
1200/5	160mm
3000/5	190mm
5000/5	200mm
6000/5	300mm

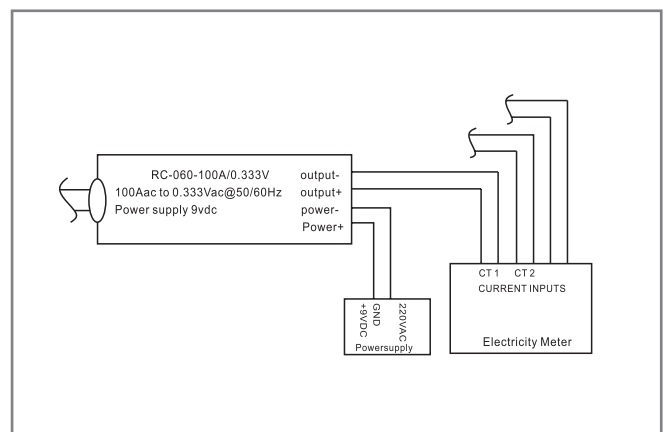
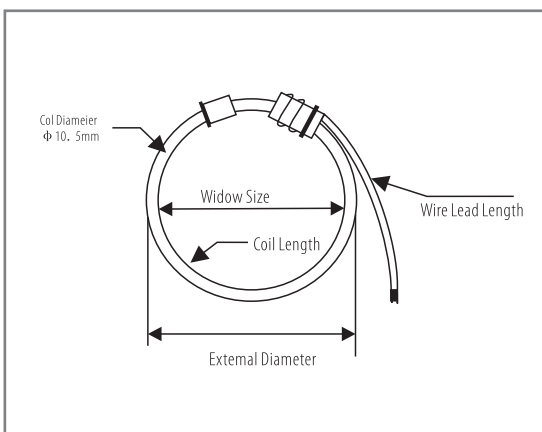
SPECIFICATION	
Rated Current	10A to 100kA
Rated Output	0.333Vac at rated current with Integrator, 100mV/per 1000A @ 50Hz without integrator
Accuracy	±1% from 5% to 120% of rated current with integrator(45-65Hz)
Phase Angle	≤±1°5% to 120% from 5% to 120% of rated current
Linear	0.5%
Frequency	1Hz-1MHz, 50/60 Hz nominal
Work Voltage	600V
Power Supply	7-30VDC (9Vdc, 12Vdc recommended)
Coil Diameter	10.5mm, 12mm or as customer order
Window Size	10mm, 15mm or as per customer ordered
Wire Lead	1 meter sheath cable or as customers order
Withstand Voltage	3000V
Operating Temperature	-25°C - +70°C
IP Class	IP65
Certification	CE recognized. RoHS Compliant



DIMENSIONS



WIRING DIAGRAM





SOLID CORE CURRENT TRANSFORMER

- Two Built in Fixing Methods
- Built in Hinged Terminal Cover
- Built in Transparent Cover
- Wide Range Accuracy (3,1,0.5,0.5s,0.2,0.2s)

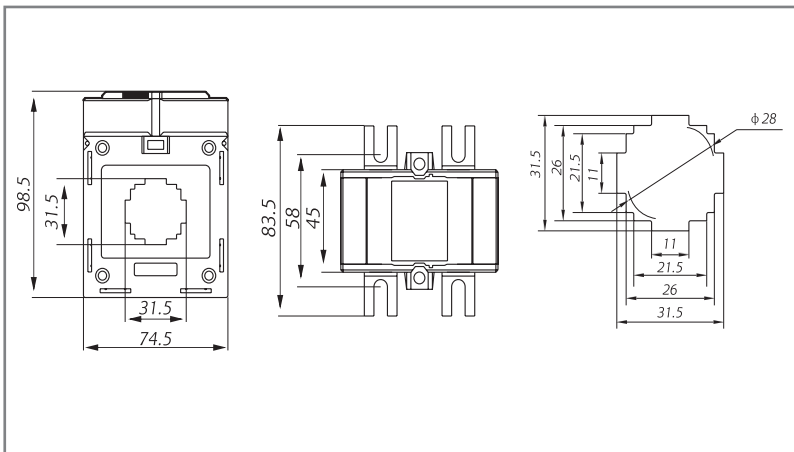


INTRODUCTION

Perfect designed plastic case current transformer advanced snap on body high accuracy (up to Class 0.2s), humanization transparent cover and lead seal hole design makes the CT very easy to identify after long term use and perfect anti s tealing electricity.

SPECIFICATION	
Rated Frequency	50Hz-60Hz
Rated Current	5A to 5000A loads
Rated Output	5A, 1A, 0.5A, 0.25A, 0.1A
Accuracy	± 1% from 20% to 120% of rated current
Rated Short-Time	60In
Rated Voltage (Um)	1.2In
Operating Temperature	-10°C~50°C
Housing Self-Extinguishing Class	V0
Standard	IEC60044-1, EN60044-1, VDE0414-44-1, GB1208

RATIO (A)	BURDEN (VA)	
	CLASS 0.5	CLASS
50/5	1.5	2.5
60/5	1.5	2.5
75/5	2.5	3.75
100/5	3.75	5
150/5	5	5
200/5	5	5
250/5	5	5
300/5	5	5
75/5	1.5	1.5
80/5	1.5	1.5
100/5	2.5	2.5
150/5	3.75	5
200/5	5	5
250/5	5	5
300/5	5	5
400/5	5	5
500/5	5	5





SOLID CORE CURRENT TRANSFORMER

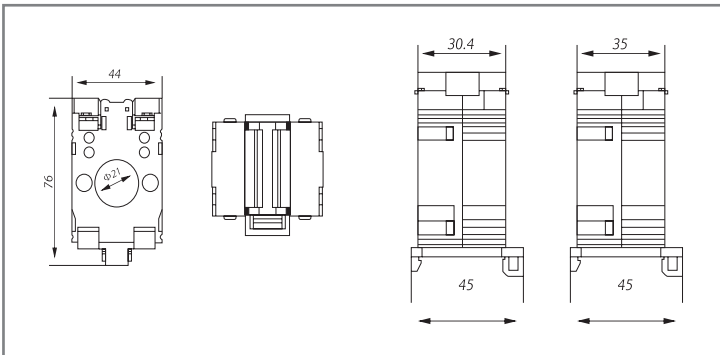
- Two Built in Fixing Methods
- 1 Side Base, Busbar Mounting
- Built in Transparent Cover
- Primary Current From 50A To 300A



INTRODUCTION

Smart Controller is world famous Mini Design Plastic case current transformer, snap on body be wildly in generators. It is available for connecting with cable, and also available for connecting with busbas. Its Primary currents between 15A ~ 300A with 5A or 1A secondaries with up to class 1.0 accuracy performance.

SPECIFICATION	
Rated Frequency	50Hz-60Hz
Rated Current	15A to 300A loads
Rated Output	3kV AC (1min)
Accuracy	60In
Rated Short-Time	0.72kV AC.
Rated Voltage (Um)	5A or 1A
Operating Temperature	1.2In
Housing Self	-10°C~50°C
Extinguishing Class	V0
Safe State	Fs5
Standard	IEC60044-1, EN60044-1,



RATED AMPS	BURDEN(VA)/CLASS1.0
50/5	1
60/5	1.25
75/5	1.5
80/5	1.5
100/5	2.5
120/5	2.5
150/5	2.5
200/5	3.75
250/5	3.75
300/5	3.75
50/5	-
60/5	-
75/5	1.5
80/5	1.5
100/5	2.5
120/5	2.5
150/5	2.5
200/5	2.5
250/5	3.75
300/5	3.75



UNIT C7/4 Inchinnan Industrial Park
Glasgow, Renfrewshire PA49RJ,
UNITED KINGDOM



info@smart-controllers.com



www.smart-controllers.com

