



SINGLE PHASE 2 WIRE KWH METER

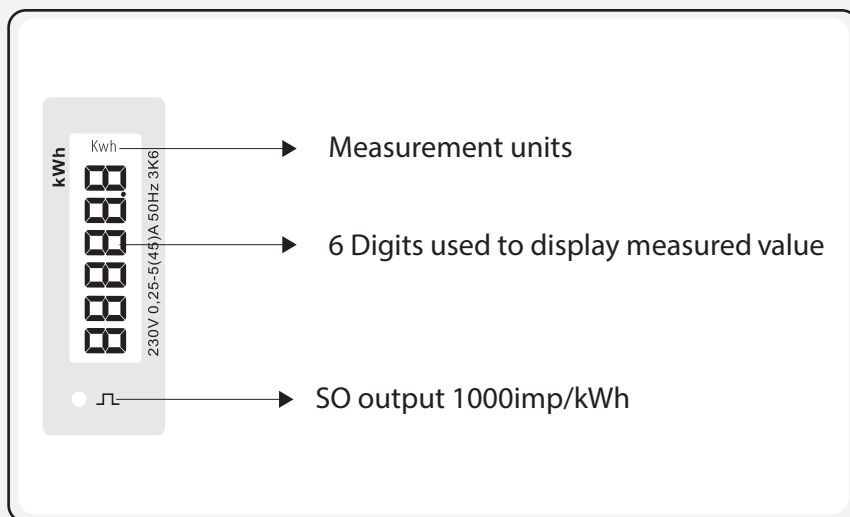
Model No: SMART-KME 400D

- 45A MAX, Direct Load
- One Module Wide
- Active Energy Measured
- Pulse Output
- Din Rail Mounted



DESCRIPTION

The Smart Controller A/D/DB series provides a unit-direction (anti-reverse) measurement model. It would only counts the forward energy, and not counts the reverse energy. It is widely used In solar generation energy measurement.

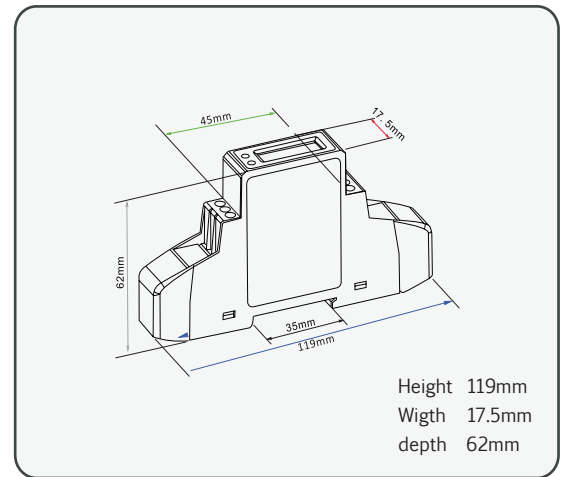


SPECIFICATION

Display	LCD
	LCD with Backlit
Nominal Voltage (Un)	120V or 230V ac
Operational Voltage	80%~120% of Un
Insulation Capabilitie	
- AC Voltage withstand	4KV for 1 minute
- Impulse Voltage withstand	6KV-1.2μS
Basic Current (Ib)	5A
Maximum Rated Current (Imax)	45A
Operational Current Rage	0.4% Ib-Imax
Over Current withstand	30 Imax for 0.01s
Operational Frequency range	50 / 60Hz
Internal Power Consumption	≤ 2W/10VA
Pulse Output	1000imp/kWh
Max Reading	99999.9 kWh



DIMENSIONS

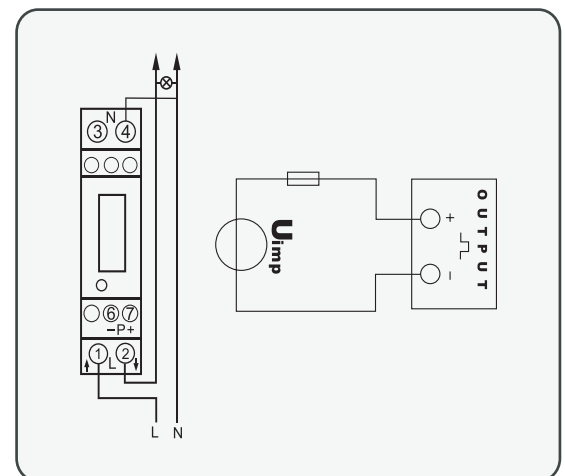


PERFORMANCE CRITERIA

Operating Humidity	≤ 90%
Storage Humidity	≤ 95%
Operating Temperature	-25°C - +55°C
Storage Temperature	-40°C - +70°C
Reference Temperature	23°C ± 2°C
International Standard	IEC 62053-21 / EN50470-1/3
Accuracy Class	Class1/Class B
Installation Category	CAT II
Mechanical Environment	M1
Degree of Pollution	E2
Protection Against Penetration of Dust and Water	2
Insulating Encased Meter of Protective Class	IP51(indoor)
Electrostatic Discharges	II
Electromagnetic HF Fields	8kV contact / 15kV air gap
Electrical Fast Transients	IEC 61000-4-3
Surge	4kV
Radiated and Conducted	4kV
Emissions	EN 55022



WIRING DIAGRAM



Pulso Output

ATTENTION:

Pulse output must be fed as show in the wiring diagram below. Scrupulously respect polarities and the connection mode to coupler with potential free SPST-NO content. Contact range: 5~27VDC
Max. current input: 27mA DC.