



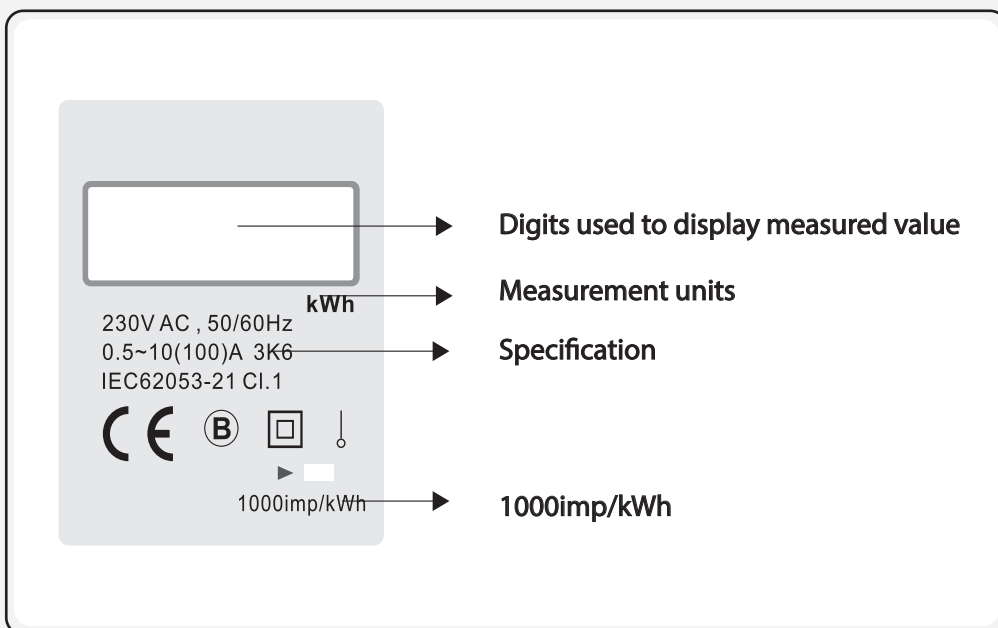
SINGLE PHASE 2 WIRE KWH METER

Model No: SMART-KME 401D

- 100A MAX, Direct Load
- Two Module Wide
- Active Energy Measured
- Pulse Output
- Din Rail Mounted



DESCRIPTION

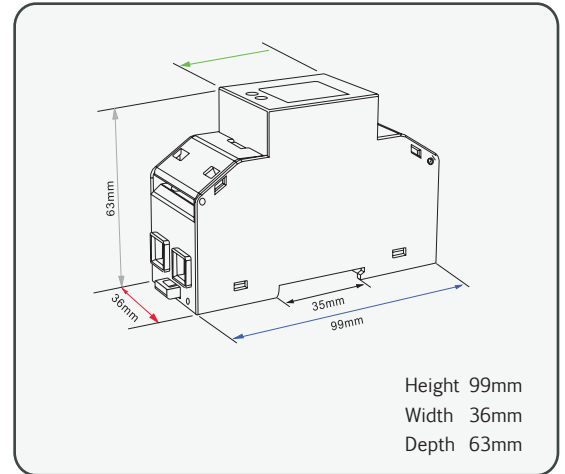


SPECIFICATION

Display	LCD
Nominal Voltage (Un)	120V or 230V ac
Operational Voltage	80% ~ 120% of Un
Insulation Capabilitie	
- AC Voltage withstand	4KV for 1 minute
- Impulse Voltage withstand	6KV-1.2μS
Basic Current (Ib)	10A
Maximum Rated Current (Imax)	100A
Operational Current Rage	0.4% Ib-Imax
Over Current withstand	30 Imax for 0.01s
Operational Frequency range	50 or 60Hz
Internal Power Consumption	≤ 2W/10VA
Pulse Output	1000imp/kWh
Max Reading	999999.9 kWh(SDM230A)
	99999.9 kWh(SDM230D)



DIMENSIONS

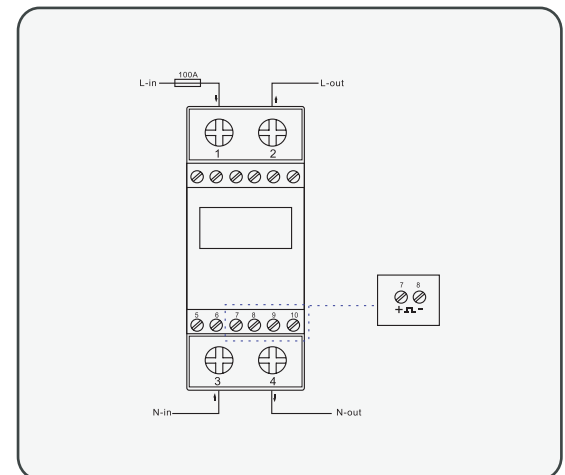


PERFORMANCE CRITERIA

Operating Humidity	≤ 90%
Storage Humidity	≤ 95%
Operating Temperature	-25°C - +55°C
Storage Temperature	-40°C - +70°C
Reference Temperature	23°C ± 2°C
International Standard	IEC 62053-21 / EN50470-1/3
Accuracy Class	Class1/Class B
Installation Category	CAT II
Mechanical Environment	M1
Degree of Pollution	E2
Protection Against Penetration of Dust and Water	2
Insulating Encased Meter of Protective Class	IP51(indoor)
Electrostatic Discharges	II
Electromagnetic HF Fields	up to 2000m
Electrical Fast Transients	8kV contact / 15kV air gap
Surge	IEC 61000-4-3
Radiated	4kV
Conducted Emissions	4kV
	EN 55022



WIRING DIAGRAM



MECHANICS

Din Rail Dimension	99x36x63 (WxHxD) DIN 43880
Mounting DIN Rail	35mm
Sealing	IP51 (indoor)
Material	self-extinguishing UL94V-0