



SMART SERIES, SINGLE PHASE VOLT METER

Model No: SMART-V200 V

- High precision measurement of Single Phase Voltage
- Programmable Voltage Ratio
- Auxiliary Power Supply
- Accuracy Class 0.5 or 1
- Size 96 x 96



INTRODUCTION

Smart Controller offers the Smart series Single Phase volt meter which adopts alternating current sampling techniques. This enables it to measure single phase voltage in the grid with high accuracy, good sensitivity and excellent resistance to vibrations.

INSTALLATION AND HANDLING

The device is easy to maintain and handle, easy to wire and very simple to install for the ease of user and only qualified person should be involved in the wiring and installation job of this power meter. Certain partof the power meter does contain high voltage, improper handling therefore can cause serious injuries and device damage.

There are certain points that need to be taken into strict account as follow:

- Only use insulating tools.
- Do not connect when circuit is live.
- Place the device in only dry surroundings.
- Make sure that the wire used is suitable for the maximum current of this meter.

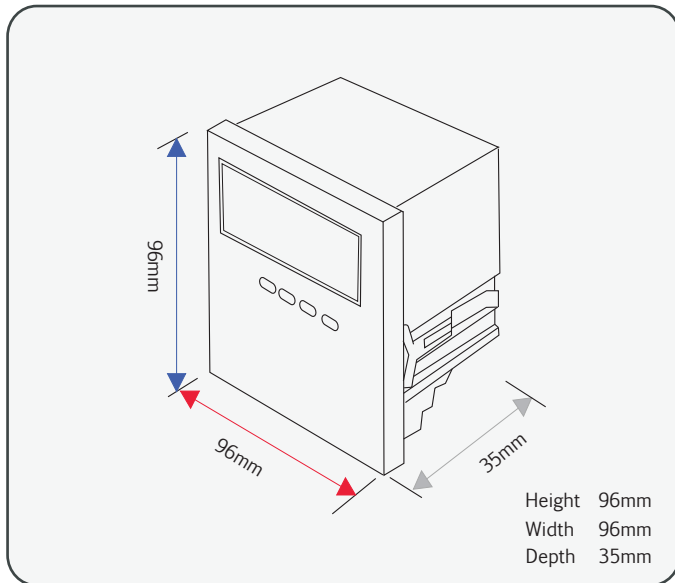
ELECTROMAGNETIC COMPATIBILITY

ESD (Electro-Static Discharge):

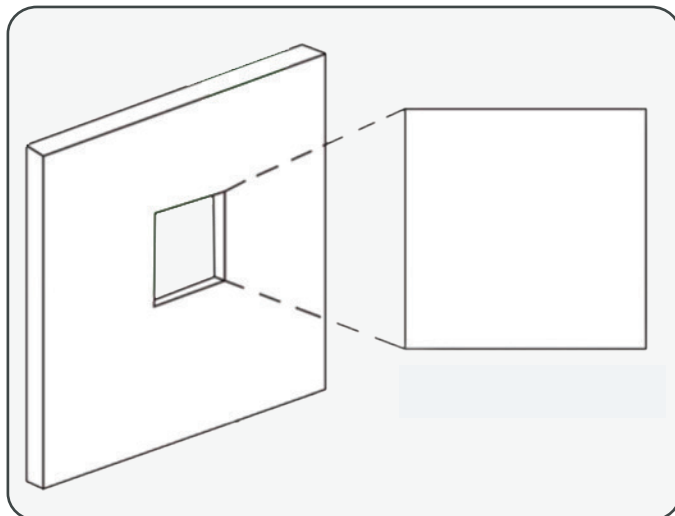
Level 4 Electrical fast transient burst: Level 4

MEASUREMENT	
Accuracy Class	Class 0.5
Display Range	0.000 - 9999
Overload	Continuous 1.2 Times
Instantaneous	Current 10Times/5sec
Nominal Input	AC Current 100V~600V
Power Consumption	Less than 2VA
Dielectric Strength	2kV/1 Min
Frequency	45 - 65 Hz

DIMENSIONS



INSTALLATION



ADDITIONAL METER

Size 72x72

Model No. V272-V

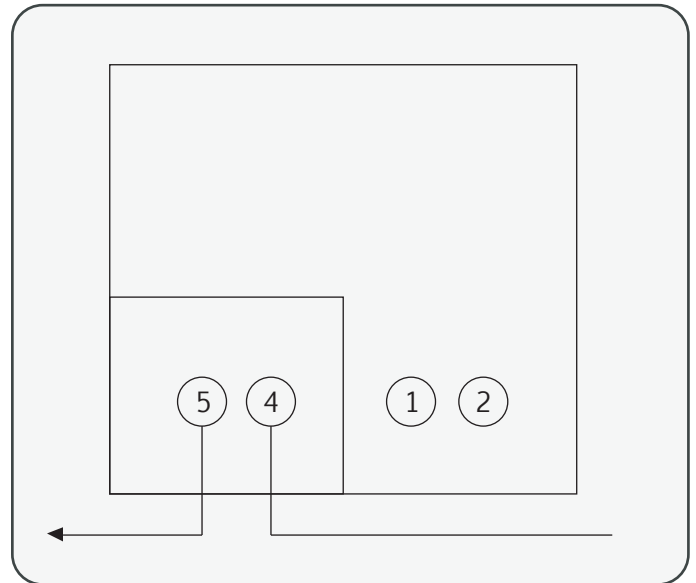
CERTIFICATIONS

V - 200V complies with all the international standards which includes certification from standards such as EN-61326-1: 2013, EN 50470-1: 2006

ENVIRONMENT

Working Temperature	10~55 Degree Celsius
Storage Temperature	-25~70 Degree Celsius
Relative Humidity	93% No Corrosive Gas
Elevation	Less Than 2500m

WIRING DIAGRAM



DESCRIPTION

