



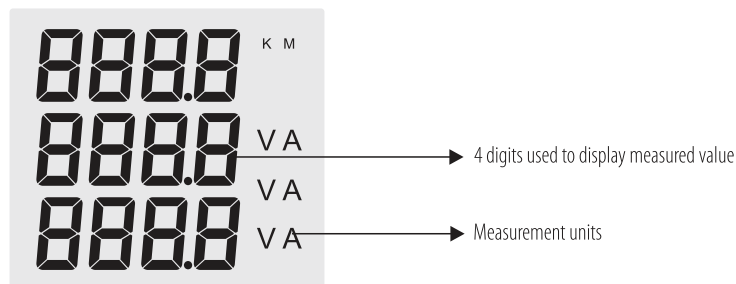
# SMART SERIES, THREE PHASE VOLT/AMPERE METER

Model No: SMART-V350 V A

- High Precision Measurement of Single Phase Voltage.
- (AC or DC), or current AC or DC Frequency on Power.
- Programmable Voltage Ratio.
- Auxiliary Power Supply : AC/DC 85V~265V.
- Accuracy Class 0.5 or 1.

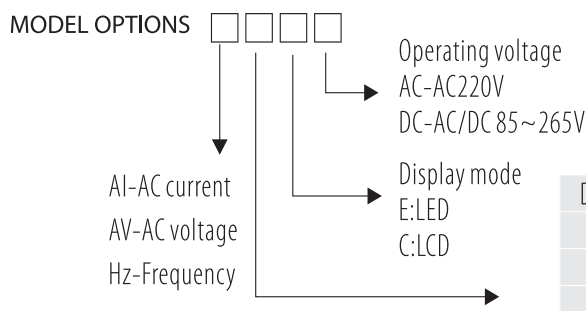


## DIMENSIONS



### Keys

	○ Enter configuration menu ○ Exit configuration menu		○ Select menu ○ Digit -
	○ Select menu ○ Digit +		○ Backward ○ Confirm settings



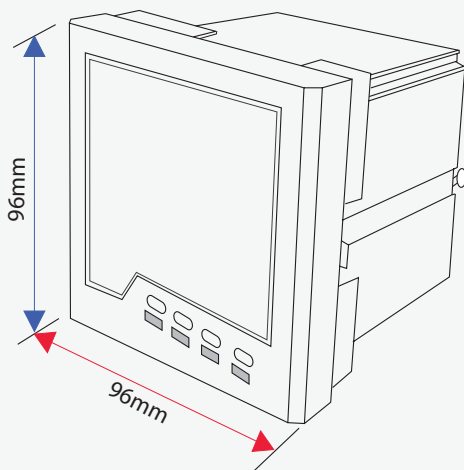
Dimension	Face frame	Hole size
1	48X96	45X91
2	72X72	67X67
3	96X96	91X91

## SPECIFICATION

Ratio Value	AC100V, AC230V, AC400V
Overload	120%
Ferquency	45~65Hz or DC
Working Range	AC100V , AC230V, AC400V
Power Consumption	<4VA
Operational Environment	-25°C~+55°C
Relative humidty	-40°C~+70°C
Height Above Sea Level	≤ 90%, in the place without corrosive gas
Insulation Resistance	≤ 2000m
AC withstand Voltage	> 100Mohm
Electro-Static Discharge	AC 2KV
Electrical Fast	Class 4
Transient Pulse Train	Class 4
Electrical Surge	Class 4



## DIMENSIONS

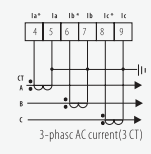
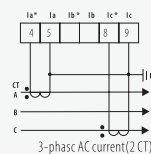


Height 96mm  
Width 96mm

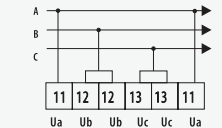
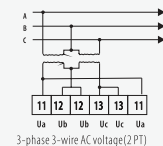
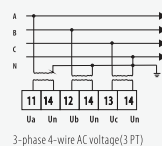
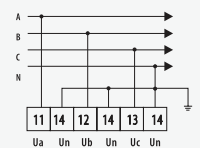


## WIRING DIAGRAM

### Amperemeter



### Voltmeter



### VA meter/Power meter

